

CADian 2026

Work Faster, Design Smarter.

CADIAN



CADIAN

Overview

The newly released CADian 2026 marks the latest evolution of Korea's leading CAD software. Built upon exceptional bi-directional compatibility with major CAD platforms, this version ensures a stable and flexible workflow across diverse design environments. This next-generation solution elevates the user experience (UX) through comprehensive workflow improvements and innovative technologies, presenting new possibilities for all CAD professionals. Discover the powerful new features driving CADian 2026.



Contents

01 CADian 2026 New Features

- Smart Dimensions 04
- Smart Detail Generator 05
- Drafting 06
- Modification 07

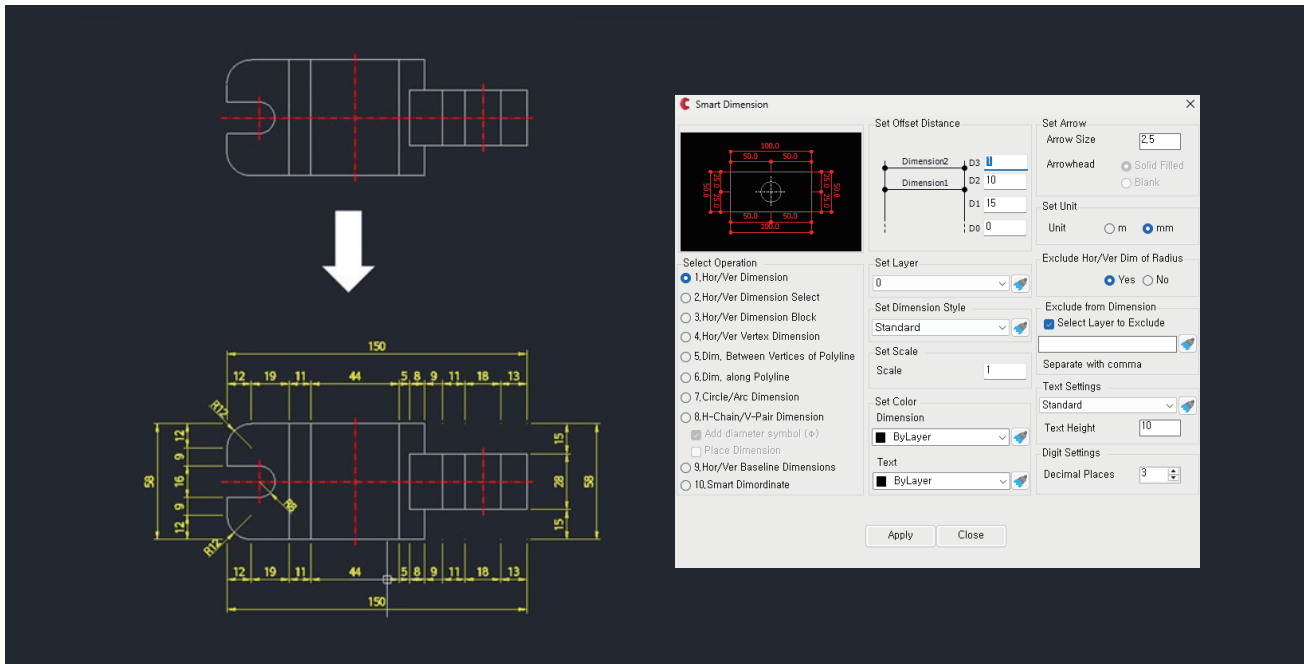
02 CADian 2026 Enhancements

- Workspace & Usability Improvements 10
- Development/Extension & Integration 12
- Other Enhancements 14

03 Installation & Support 15

Smart Dimensions

Smart Dimensions in CADian 2026 is a design automation feature that generates complete dimensions for a single component upon area selection. This tool eliminates repetitive manual clicks and inputs, while multiple circles and arcs within complex drawings are processed simultaneously for maximum efficiency.



Command **SDM** Ribbon/Menu **Smart Tools - Smart Dimensions**

01 Two-Point Auto-Dimensioning

Auto-dimensioning for components or entire drawings to eliminate manual clicks and reduce drafting time.

02 Circle, Arc & Shaft Automation

Automated processing for circles, arcs, and shafts to minimize repetitive tasks and achieve full automation in specialized fields.

03 Versatile Dimension Options

Diverse options (overall, partial, paired, and STOL) for rapid dimensioning aligned with design intent.

04 Seamless Style Integration

Inheriting existing styles (text, arrowheads, lines) for consistent presentation across the drawing.

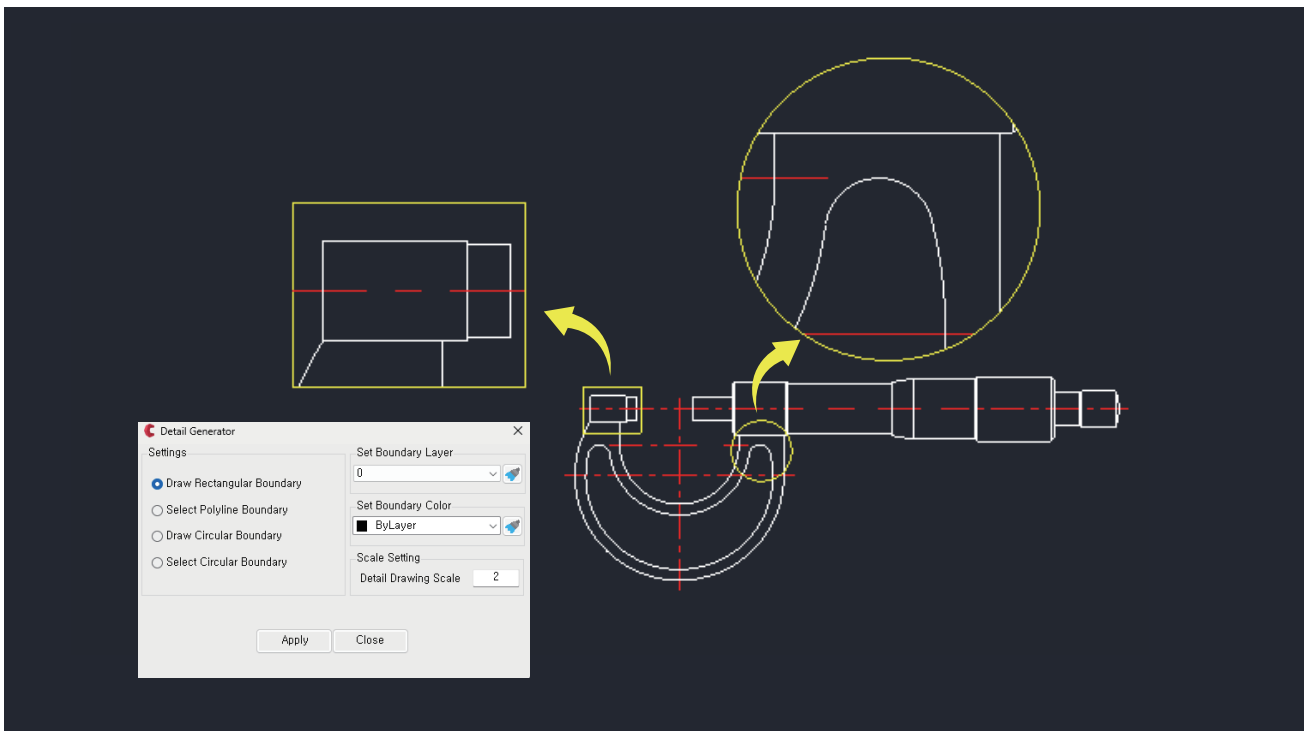
05 Error Prevention Options

Exclusion options for layers and rounds to prevent errors during auto-dimensioning.

[Smart Dimensions Tutorial](#)

Smart Detail Generator

Smart Detail Generator automatically magnifies specific sections of a drawing to create separate, independent detail views. By clearly emphasizing core elements even within complex drawings, it enables rapid verification of critical information during design reviews and significantly enhances overall readability. This tool streamlines the detail creation process, effectively reducing repetitive tasks and maximizing design productivity.



Command **DETAIL** Ribbon/Menu **Smart Tools - Smart Detail Generator**

01 Rectangular and Circular Detail Views

Selection of rectangular or circular areas for detail view generation. Create views by drawing new boundaries or selecting existing objects

- Draw and copy rectangular areas
- Select and copy polyline objects
- Draw and copy circular areas
- Select and copy circle objects

02 Boundary Layer & Color Settings

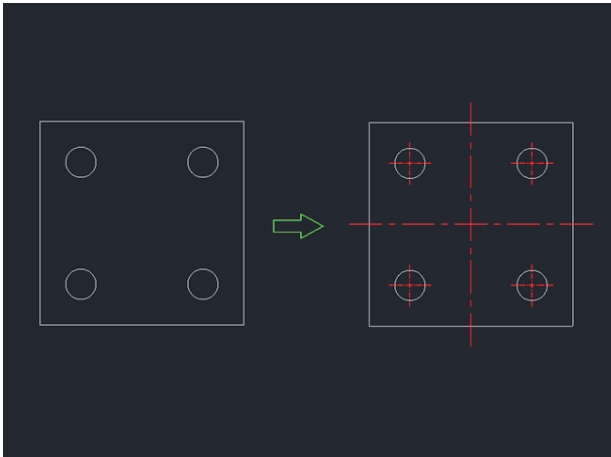
Customizable layers and colors to match drawing standards. Clear differentiation for consistency across all detail views.

03 Detail Scale Settings

Automatic detail generation at selected scales for accurate drafting and consistent drawing quality. (e.g., 2x enlargement)

Drafting

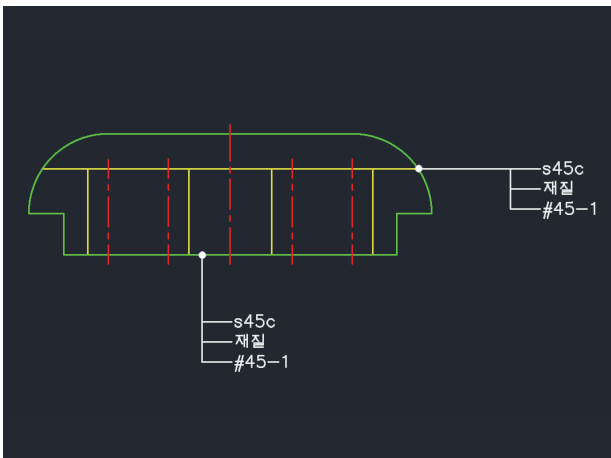
CADian 2026 features enhanced drafting capabilities for improved drawing quality and reduced drafting time. Fast and accurate creation of annotation elements such as centerlines, leaders, and part numbers directly affects drawing clarity and information delivery. These enhanced features streamline repetitive tasks, enabling rapid drafting in complex drawings while maintaining consistent standards.



01 Centerline Generation

Centerline Generation automatically recognizes multiple entities within a selected area to create centerlines for fast and accurate drafting.

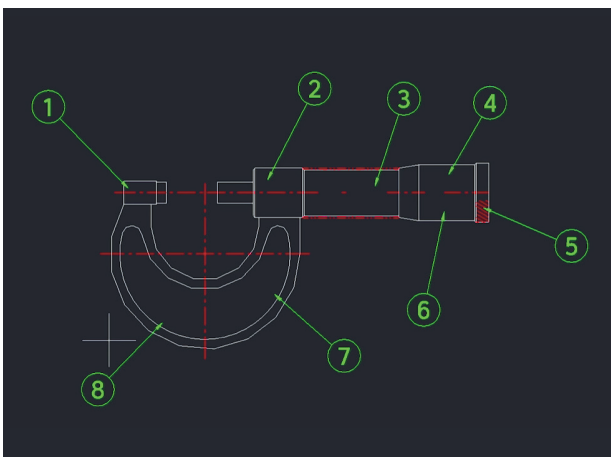
Command	Draw Rect. Centerline (RCT)
	Circle Centerline (CL2)
	Centerline between two lines (CLM)
Ribbon/Menu	Smart Tools



02 Enhanced Multileader

Enhanced Multileader automates the manual process of drawing horizontal separators and aligning text. Clear, highly readable annotations for materials, specifications, and part numbers can be created quickly, even in drawings with dense information.

Command	ML2
Ribbon/Menu	Smart Tools – Enhanced Multileader



03 Insert Part Balloon

Insert Part Balloon supports quick and clear identification of components in assembly and part drawings. By specifying a location, sequential numbers and leader lines are generated automatically, reducing repetitive annotation work and improving drawing clarity.

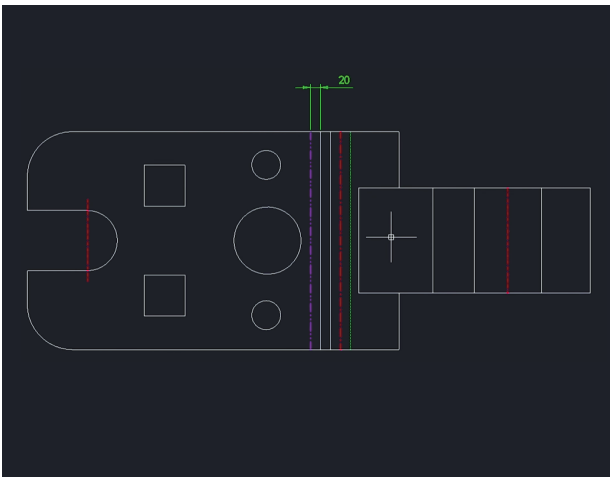
Command	TAG
Ribbon/Menu	Smart Tools – Insert Part Balloons

Modification

CADian 2026 features enhanced modification capabilities for faster and more accurate editing. High-frequency tasks such as Offset, Mirror, and Trim have a direct impact on overall productivity. These enhancements make core editing tasks more intuitive, improving modification speed and maintaining consistent drawing quality.

01 Smart Offset

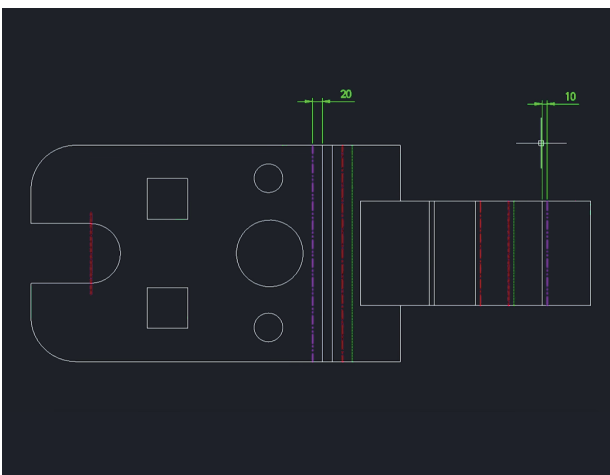
Smart Offset application for four common line types: Visible, Center, Hidden, and Phantom. By specifying a distance, offsets are generated instantly with the correct line type, eliminating repetitive layer and linetype settings.



Command	Q1 : Visible Line	Q2 : Centerline
	Q3 : Hidden Line	Q4 : Phantom Line
Ribbon/Menu	Smart Tools – Smart Offset	

02 Smart 1/2 Offset

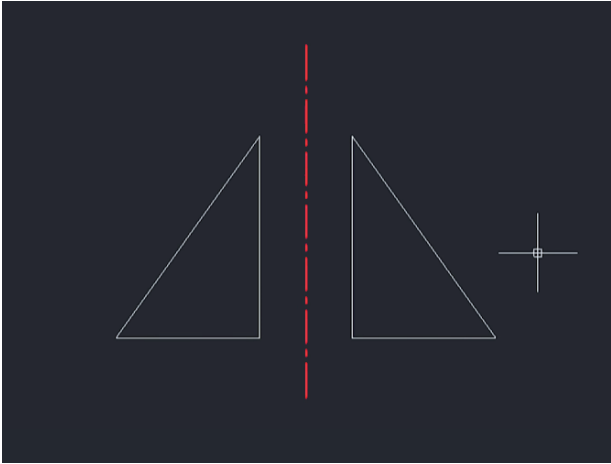
Smart 1/2 Offset generation based on the specified distance. By entering a base distance, half of the value is applied automatically, eliminating manual calculations for complex dimensions. This reduces calculation errors while improving drafting speed and accuracy.



Command	Q11 : Visible Line	Q22 : Centerline
	Q33 : Hidden Line	Q44 : Phantom Line
Ribbon/Menu	Smart Tools – Smart Offset	

03 Smart Mirror

Smart Mirror supports fast and accurate object mirroring in drawings with symmetrical features. Double Mirror extends this capability to both vertical and horizontal directions, enabling efficient handling of repetitive symmetry tasks.



Smart Mirror (MI2)

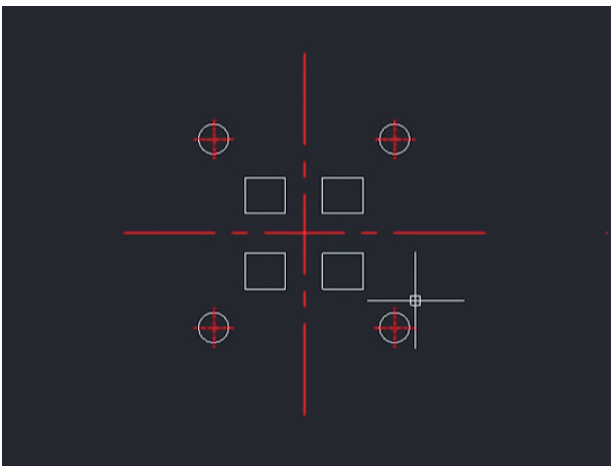
Smart Mirror executes instantly by specifying the object and mirror axis. This intuitive workflow eliminates complex settings, reducing repetitive mirroring tasks and enabling faster shape review and adjustments in early design stages.

Command

MI2

Ribbon/Menu

Smart Tools – Smart Mirror



Double Mirror (DMI)

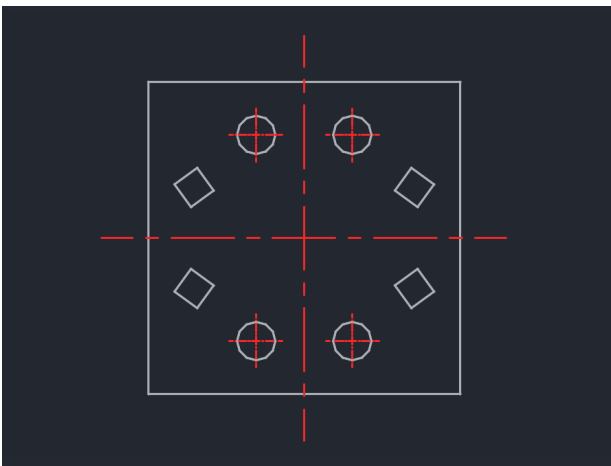
Double Mirror applies sequential mirroring across vertical and horizontal directions through continuous axis selection. Multi-directional symmetry is generated within a single workflow, enabling efficient drafting of cross-symmetrical structures and repeating patterns.

Command

DMI

Ribbon/Menu

Smart Tools – Double Mirror



Double Mirror (Rectangle) (DMIR)

Double Mirror (Rectangle) applies multi-directional mirroring to objects within a selected area defined by two points. This enables symmetric duplication of repeating patterns or modular elements in a single step, significantly reducing editing time for large object groups.

Command

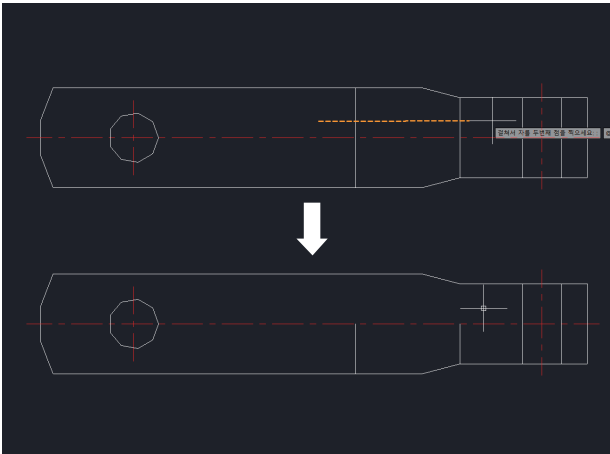
DMIR

Ribbon/Menu

Smart Tools – Double Mirror (Rectangle)

04 Trim

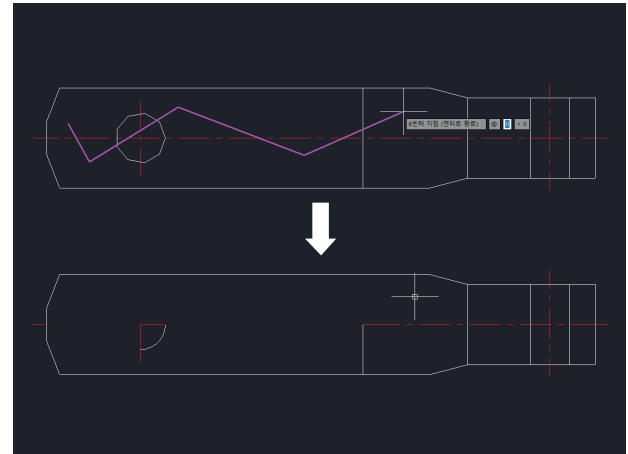
Trim is an editing command for removing unwanted segments of lines, arcs, and polylines.



Trim at Intersection (WW)

Moving the cursor across a line automatically trims segments along the cursor path. This minimizes repetitive selection in complex drawings, enabling faster and more intuitive trimming.

Command **WW**
 Ribbon/Menu **Smart Tools – Trim at Intersection**



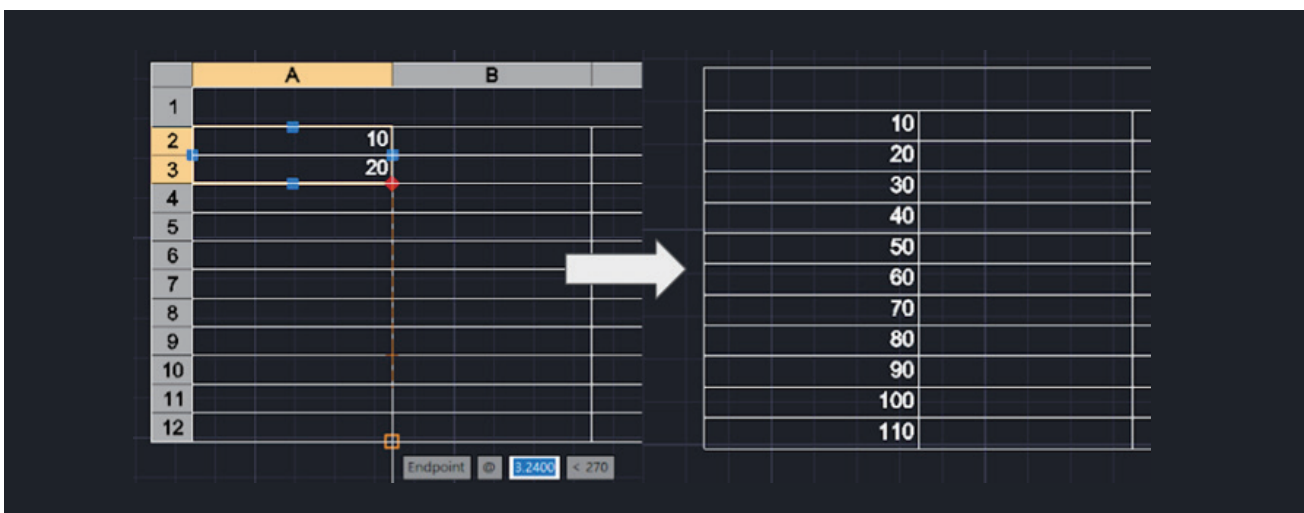
Trim by Fence (WWW)

Trim by Fence removes all objects crossing a specified virtual cutting line in a single operation. Defining a fence quickly cleans up multiple segments, reducing repetitive clicks and improving modification speed.

Command **WWW**
 Ribbon/Menu **Smart Tools – Trim by Fence**

05 Table Autofill

Table Autofill is now supported for faster and more consistent data entry. By dragging the fill handle at the bottom-right corner—similar to Excel—continuous values, repeated patterns, and sequential numbers are easily extended. This improves data entry speed while maintaining accuracy and formatting consistency across the table.

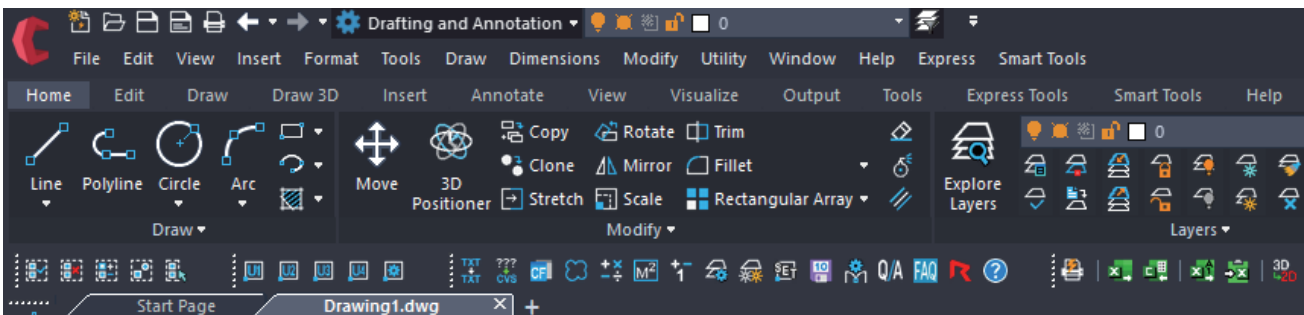


Workspace & Usability Improvements

UI and workflow have been improved to enhance usability and focus during extended design sessions. Enhanced clarity and a flexible command input environment reduce user fatigue, while improved integration with Word and Excel and QR code functionality support more efficient data sharing. These improvements enable faster, more accurate workflows across design, review, and collaboration.

01 User-Friendly UI

CADian 2026 features an improved UI designed for extended design sessions. A unified color tone and enhanced icon and text visibility enable more intuitive navigation, while a softened grid color clearly distinguishes drawing objects. These improvements enhance focus and reduce visual fatigue.



UI Enhancement Points

✔ Unified Color Tone

A consistent dark-toned UI provides a more stable visual structure. This reduces distractions and helps maintain focus on the drawing area.

✔ Tab & Grid Optimization

Improved tab visibility and softened grid colors enhance clarity. This reduces eye strain and helps maintain focus during extended work.

✔ Enhanced Icon & Text Clarity

Enhanced icon and text clarity improves recognition and selection of functions. Clear visibility of smaller icons also reduces clicking errors.

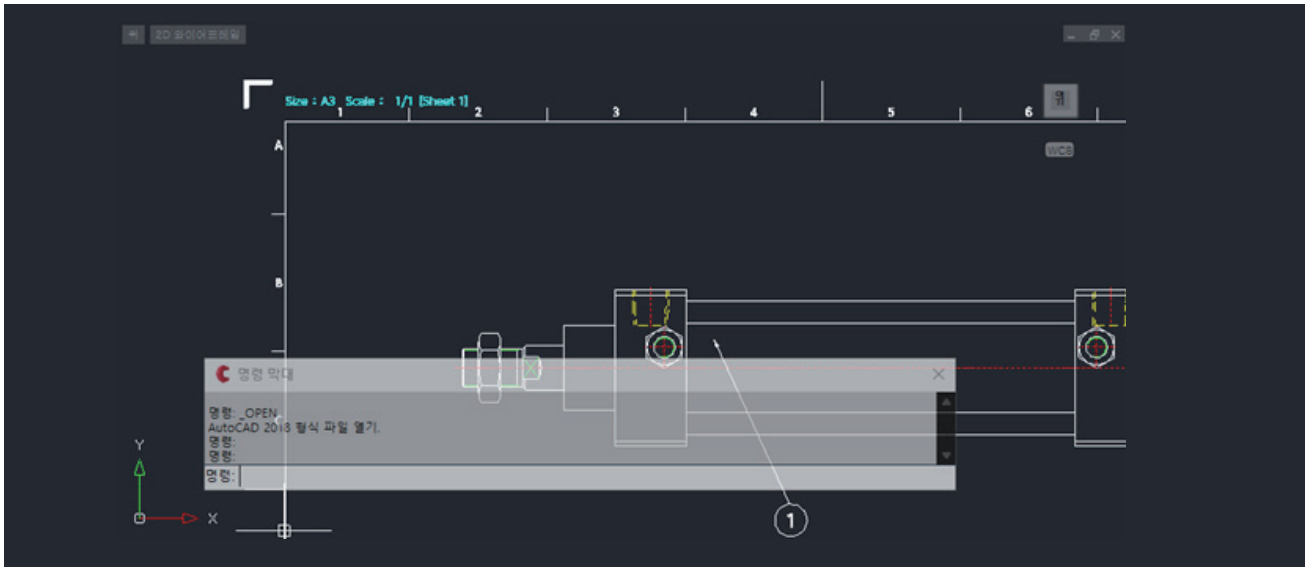
✔ Improved Layout Alignment

Balanced sizing, spacing, and alignment create a cleaner layout. This provides a more comfortable visual environment for extended work.

02 Command Line Transparency Control

Improved Visibility • Enhanced Focus

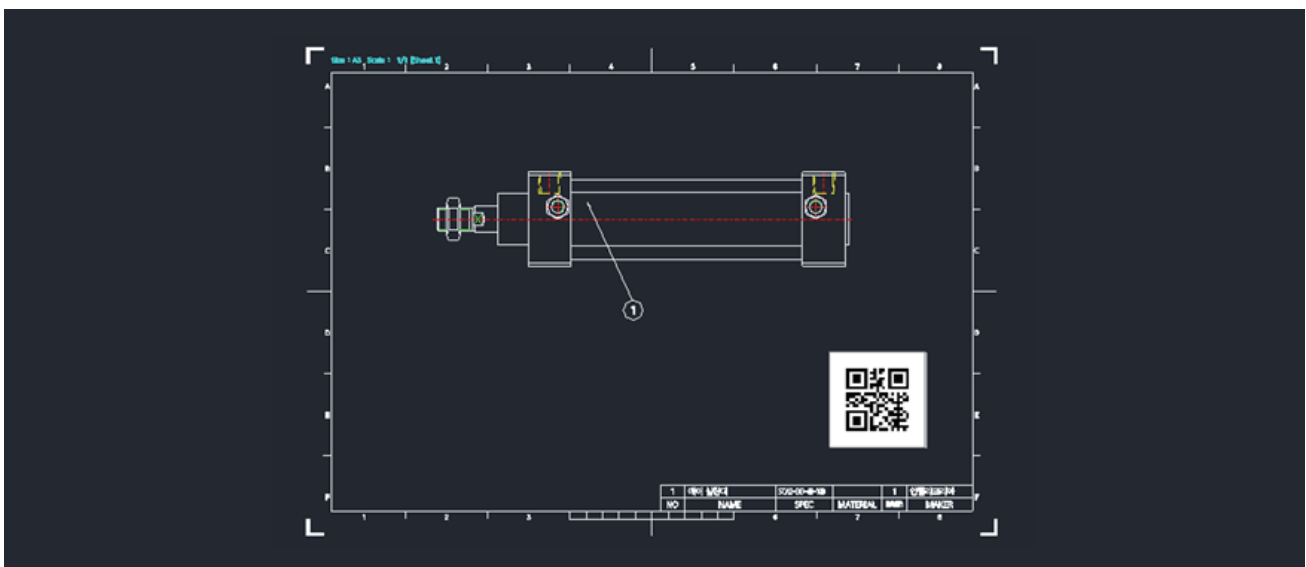
Command line transparency can be adjusted to keep the drawing area clear during command entry. This maintains visibility and supports an immersive workflow, with direct control over interface display enhancing the overall user experience.



03 QR Code Integration

Improved Sharing • Enhanced Collaboration

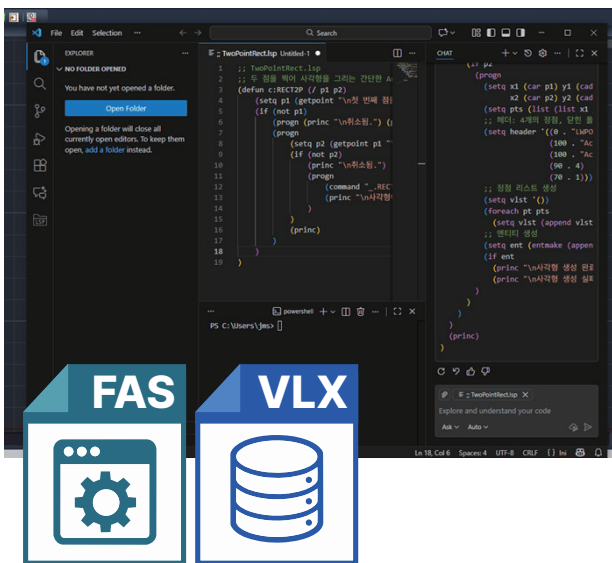
QR code functionality is now available in MTEXT and LEADER, enabling direct insertion of information into drawings. Scanning QR codes with mobile devices provides instant access to linked data, supporting fast sharing of work instructions and reference materials. This keeps drawings clean while connecting essential information for collaboration.



Development/Extension & Integration

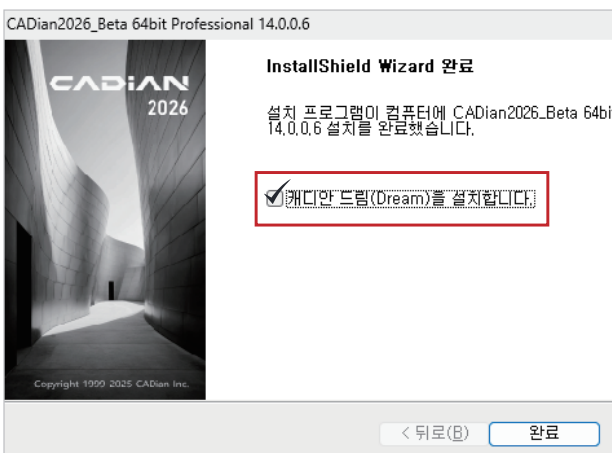
LISP development and extension capabilities have been expanded to support practical automation and scalability. Integration with Visual Studio Code provides an improved environment for writing, editing, and debugging LISP code. Integrated installation of CADian Pro and Dream 2 simplifies setup, while over 500 LISP utilities enable immediate use across diverse workflows.

01 Visual LISP Integration



Visual LISP integration enables direct authoring and editing of LISP code within Visual Studio Code. This improved development environment enhances efficiency, accuracy, and productivity. Executing the VLISP command activates a debugging environment based on the Lisp Debugger Extension, allowing rapid analysis and resolution of errors. Key features include Breakpoints, Step execution, Call Stack monitoring, and real-time expression evaluation.

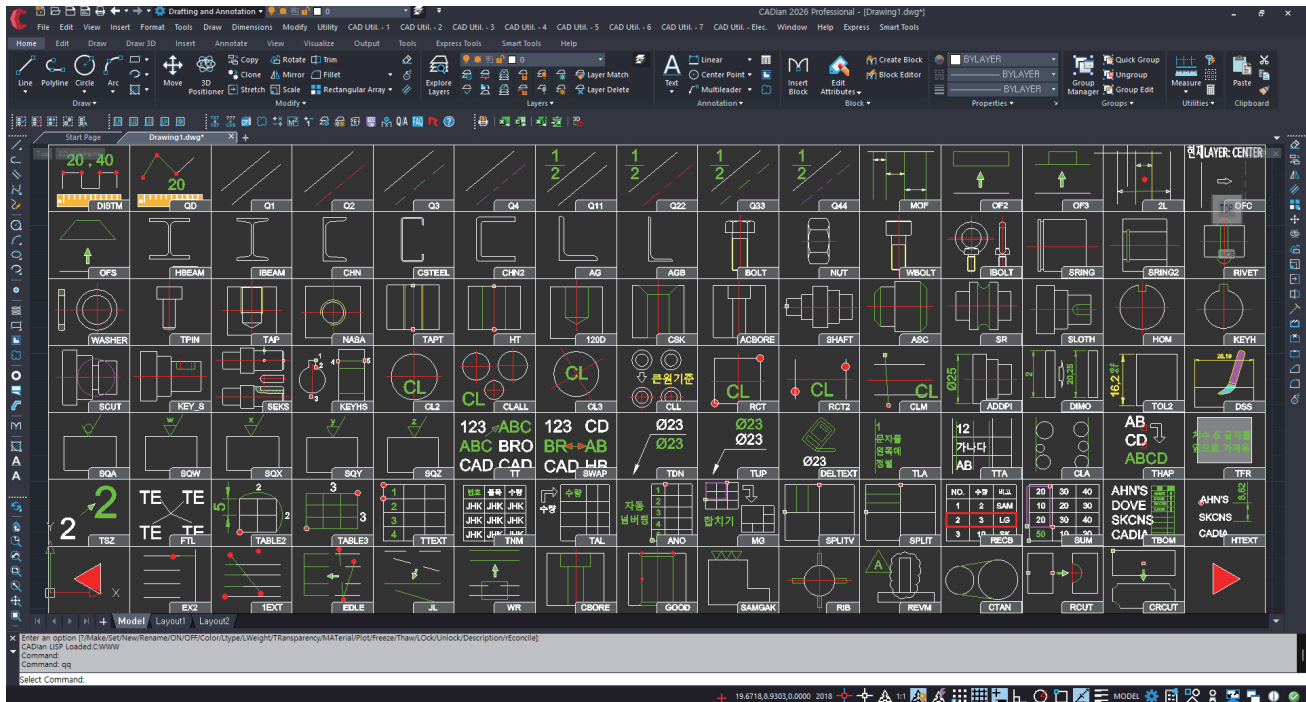
02 Dream 2 Integrated Installation



CADian Pro and Dream 2 are installed together, eliminating separate setup. Dream 2 provides essential utilities, including layer, text, and polyline tools, CAD-Excel integration, and calculation functions. It supports civil workflows such as roads, surveying, and structures. This enables efficient use of general CAD and civil workflows in one environment (supported only in Korea).

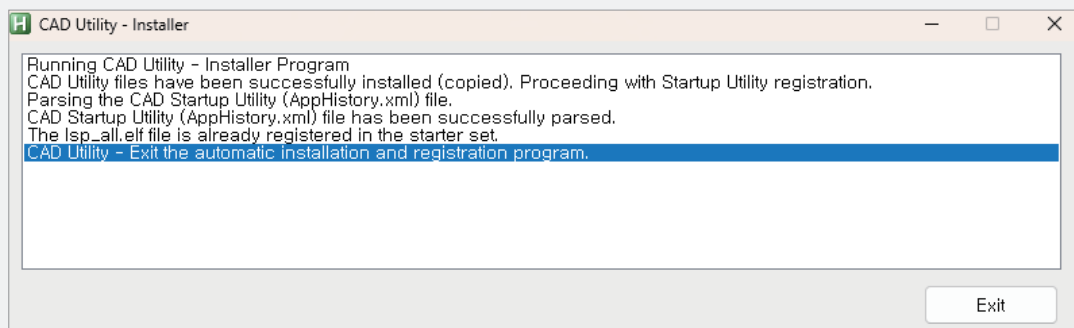
03 500+ CADian LISP Utilities

CADian provides over 500 LISP utilities designed for immediate use in practical CAD workflows, with continuous updates based on user needs. These utilities automate repetitive drafting tasks and simplify complex editing processes, improving overall efficiency. The utilities cover a wide range of functions used in mechanical, architectural, civil, and plant design. This enables quick application in daily projects, reducing work time and improving productivity.



CADian 2026 LISP Installation Guide

- 1 Access CADian LISP Download & Installation Guide [Link](#)
- 2 Download LISP Installer (CADianLisp_Pro2026_Installer.zip)
- 3 Extract and run 'CAD Utility – Installer' (Ensure CADian 2026 is closed)



- 4 Launch CADian and Enter 'QQ' command for Smart Lisp Manager
- 5 Select a LISP from the Manager or enter the command directly

Other Enhancements



Entity Snap
**Boosted Stability
& Performance**



Clipboard Copy
**30x Faster
Performance**



Smart LISP Manager
**Instant Access
to 500+ LISPs**



Detachable File Tabs
**Seamless
Multi-tasking**

- Entity Snap (Esnap) has been refined to improve stability and performance.
- Clipboard copy performance has been improved, delivering up to 30x faster speed in specific scenarios.
- Smart LISP Manager (QF command) enables fast searching and execution of over 500 CADian LISPs, significantly reducing command search time (currently available only in Korea).
- Drawing tabs can be detached from the main window, enabling seamless multi-monitor workflows without restarting the application.

+ Additional Updates

- BIM Compatibility : Supports Autodesk® Revit® 2025 RVT and RFA file formats
- Enhanced Attribute Editor : Improved workflow for editing block attributes, text settings, and properties

Product Information

Product	CADian Pro 2026 / CADian Classic 2026
Release	2025.11
Developer	Wizcore, Inc. (Formerly CADian Inc.)

System Requirements

Minimum	OS	Microsoft Windows 10 (64-bit)	CPU	Intel Core i5 or AMD Ryzen 3 (or higher) (Ultra 5, Ultra 7, and Snapdragon processors are not supported)
	Memory	4GB RAM	Storage	128GB SSD
Recommended	OS	Microsoft Windows 11 (64-bit)	CPU	Intel Core i7 or AMD Ryzen 5 (or higher) (Ultra 5, Ultra 7, and Snapdragon processors are not supported)
	Memory	16GB RAM	Storage	256GB SSD
Supported File Format	Import	dwg/dxf/dws/dwf/dwt/pdf/sat/wmf/dae/dgn/dgnlib/rdl/cel/iges/step/shp/sdf/sqlite/obj/stl/xls/ acis/dxb/fmb/svg		
	Export	dwg/dxf/dws/dwf/dwt/pdf/wmf/dae/dgn/stl/jpg/bmp/iges/step/obj/acis/fmb/csv/eps/png		

CADian 2026 Installation Guide

- 1 CADian Official Website - Download Tab (<https://www.cadian.com/en/m21.php?>)
- 2 Find CADian 2026 (Pro/Classic) and press **'Download Installation File'**

Explore the New Features of CADian 2026



Sales Inquiries

partner@cadian.com

Technical Support

help@cadian.com